

QH-32B load cells are available in the capacities from 0.5t to 5t.

Alloy construction with spoke type.

S beam style. Tension and/or compression loading.

Alloy steel or stainless steel, sealed welding, waterproof, anti-corrosion and suitable for all kinds of environment.

Integral structure and easy installation.

Suitable for crane scale, mechanical conversion scale, hopper scale and other electronic weighing devices.



### Features:

Capacity : 0.5t ~ 5t

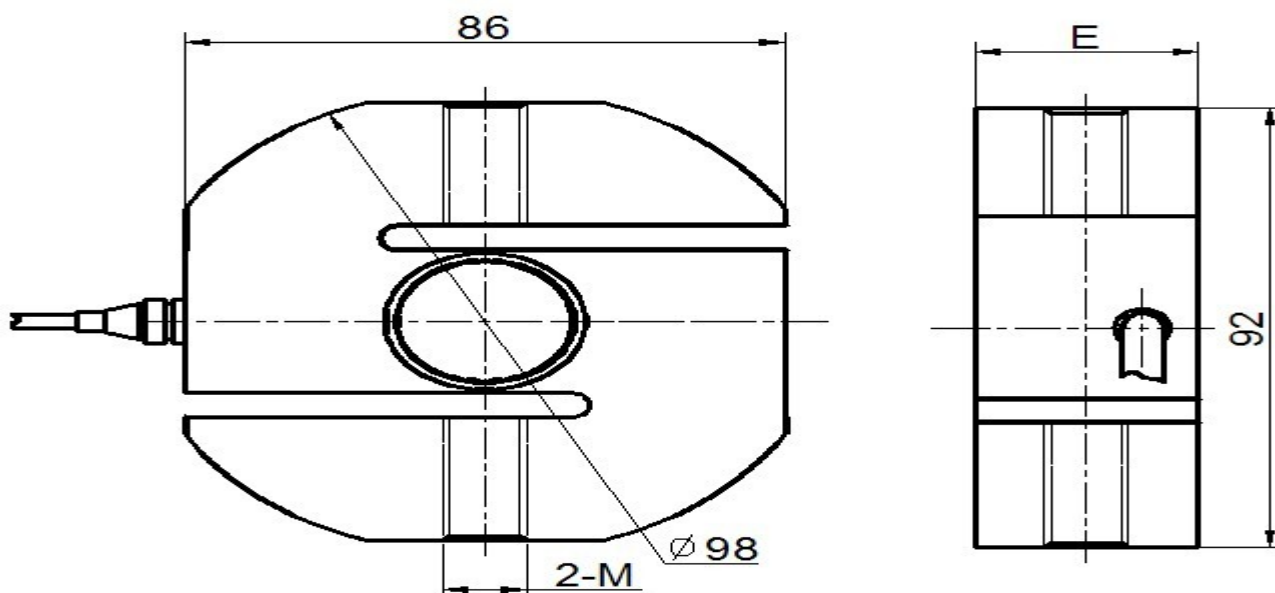
Defend grade: IP67 & 68

High accuracy.

Alloy steel or stainless steel.

Integral installation, Low profile. reliable performance

### Electrical connection and Dimensions:



Cap (t)	0.5	1	2	3	4	5
M	M12x1.75		M20x2.5		M20x2.5	M24x3
E(mm)	32			36	50	

## QY Electronic Co Ltd

Address: No. 1032, Xinghan Road, Hantai District, Hanzhong, Shaanxi, China (Mainland)

Website: [www.qysensor.com](http://www.qysensor.com)

E-mail: [info@qysensor.com](mailto:info@qysensor.com)

TEL: +86-(0)916-2257989

Zip: 723000

**Technical Specifications**

<b>Specifications:</b>		
capacity	t	0.5~ 5
safe overload	%FS	150
ultimate overload	%FS	200
rated output	mV/V	2.0 ± 0.04
excitation voltage	Vdc	9 ~ 12
combined error	%FS	± 0.03
zero balance	%FS	± 1.0
non-linearity	%FS	± 0.03
hysteresis	%FS	± 0.03
repeatability	%FS	± 0.02
creep	%FS/30min	± 0.03
input resistance	Ω	350 ± 5
output resistance	Ω	350 ± 3
insulation resistance	M Ω	≥ 5000 @ 100 Vdc
operating temperature range	°C	-20 ~ +55
compensated temperature range	°C	-10 ~ +40
temperature coefficient of SPAN	%FS/10°C	± 0.02
temperature coefficient of ZERO	%FS/10°C	± 0.03

**Electrical connection:**

Excitation+ red    Excitation- black    Signal+ green    Signal- white

Four-core shielded cable with polyethylene. Cable is not connected with elastomer.

Cable length: 3 m

Cable diameter : Ø5 mm

The cable length could be chose by customer's application.