

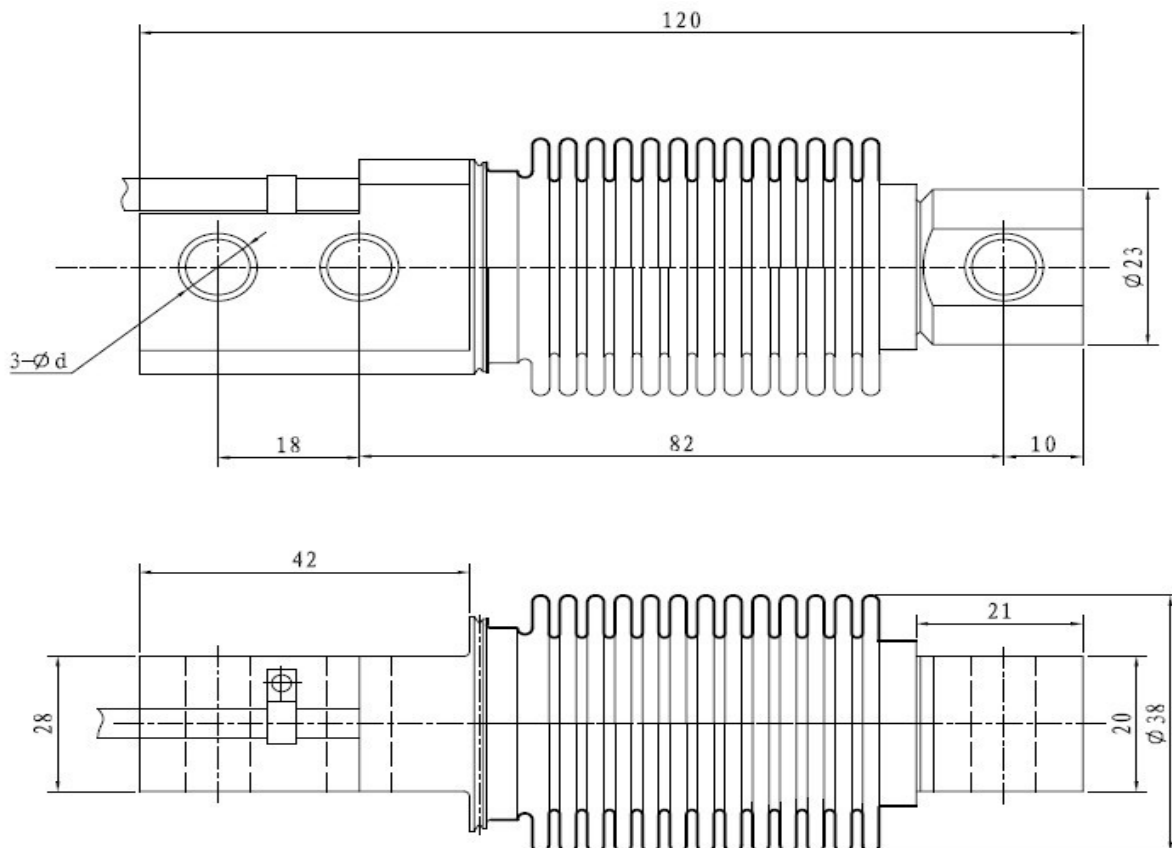
QH-23 load cells are available in the capacities from 5kg to 500kg.
Alloy steel & stainless steel construction construction with single shear beam type.
Sealed welding ,waterproof, anti-corrosion and suitable for all kinds of environment.
Integral structure and easy installation.
Suitable for electronic platform scale, hopper scales and other electronic weighing devices.

Features:

- Capacity : 5kg to 500kg
- Defend grade: IP67 & IP68
- High accuracy.
- Alloy steel & stainless steel single shear beam
- Low profile and nice exterior



Electrical connection and Dimensions:



QY Electronic Co Ltd

Address: No. 1032, Xinghan Road, Hantai District, Hanzhong, Shaanxi, China (Mainland)

Website: www.qysensor.com

TEL: +86-(0)916-2257989

E-mail: info@qysensor.com

Zip: 723000

Technical Specifications

Specifications:			
Capacity	kg	5,10,20,30,50,100,200,300,500	
Safe overload	%FS	150	
Ultimate overload	%FS	200	
Rated output	mV/V	2.0 ± 0.004	
Excitation voltage	Vdc	5 ~ 12	
Combined error	%FS	± 0.03	± 0.02
Zero unbalance	%FS	± 1	
Non-linearity	%FS	± 0.02	± 0.016
Hysteresis	%FS	± 0.02	± 0.02
Repeatability	%FS	± 0.02	± 0.01
Creep	%FS/30min	± 0.02	± 0.016
Input resistance	Ω	365 ± 10	
Output resistance	Ω	350 ± 3	
Insulation resistance	M Ω	≥ 5000 @ 50 Vdc	
Operating temperature range	°C	-20 ~ +65	
Compensated temperature range	°C	-10 ~ +40	
Temperature coefficient of SPAN	%FS/10°C	± 0.02	± 0.02
Temperature coefficient of ZERO	%FS/10°C	± 0.03	± 0.02

Electrical connection:

Excitation+ green Excitation- black Signal+white Signal-red

Feedback+blue Feedback-grey

Six-core shielded cable with polyethylene.

Cable diameter : \varnothing 5.7mm

Cable length: 3.5 m

The cable length could be chose by customer's application.